



| Description | Features & Benefits | Certification | Size | Assembly |  
| Construction | Options | Configurations | Finishes | Installation | Pictures |

## 1 DESCRIPTION



Trellidor A200, a fully framed expanding sash moving within a frame in single, double or multi sash configuration. The sash and frame components to be constructed from mill flattened steel, galvanized to a minimum standard of Z 275, and roll formed to lipped channels. The steel to be powder coated prior to assembly, with exterior grade polyester. The bottom sill to be anodized aluminium to 25 microns or greater, and powder coated to suit other components if required, to be self cleaning

and to be securely attached to the moving sash and frame. Steel sections forming sash and frame components to be securely connected with Olive drab coated steel rivets. Lock to be two point locking through a single key point mechanism. All fixings to be approved for on site application and to be tamperproof. The manufacturer to carry a current ISO rating. The installers to have the required on site Health and Safety certification.



## 2 FEATURES & BENEFITS



FEATURES COMMON TO ALL TRELLIDOR RETRACTABLES GRILLES	BENEFITS COMMON TO ALL TRELLIDOR RETRACTABLE GRILLES
<ul style="list-style-type: none"> <li>• Top hung - weight of grille hangs from the top track</li> </ul>	<ul style="list-style-type: none"> <li>• Glides easily and is simple to operate. No rollers on the bottom track to collect dirt.</li> </ul>
<ul style="list-style-type: none"> <li>• Manufactured from galvanised steel which is chemically treated and powder-coated prior to assembly</li> </ul>	<ul style="list-style-type: none"> <li>• Corrosion resistant</li> </ul>
<ul style="list-style-type: none"> <li>• Award-winning Trelllok</li> </ul>	<ul style="list-style-type: none"> <li>• Burglary resistant</li> </ul>
<ul style="list-style-type: none"> <li>• Lock integral to the frame</li> </ul>	<ul style="list-style-type: none"> <li>• More resistant to burglary and neat looking</li> </ul>
<ul style="list-style-type: none"> <li>• Tamper proof fixings</li> </ul>	<ul style="list-style-type: none"> <li>• Burglary resistant</li> </ul>
<ul style="list-style-type: none"> <li>• Tailor-made</li> </ul>	<ul style="list-style-type: none"> <li>• Fits any architectural opening snugly</li> </ul>
<ul style="list-style-type: none"> <li>• 2 point locking mechanism operates from a single key position</li> </ul>	<ul style="list-style-type: none"> <li>• Fewer keys, ease of operation</li> </ul>
<ul style="list-style-type: none"> <li>• 3 hole link flight</li> </ul>	<ul style="list-style-type: none"> <li>• Door opens and closes uniformly</li> </ul>
<ul style="list-style-type: none"> <li>• Fully framed and anchored into the reveal</li> </ul>	<ul style="list-style-type: none"> <li>• Strength</li> </ul>
<ul style="list-style-type: none"> <li>• Rolled steel uprights enclosing Nylon 6 components</li> </ul>	<ul style="list-style-type: none"> <li>• Security and ease of operation</li> </ul>
<ul style="list-style-type: none"> <li>• Aluminium sill</li> </ul>	<ul style="list-style-type: none"> <li>• Easy to clean</li> </ul>
<ul style="list-style-type: none"> <li>• Wide range of colour options</li> </ul>	<ul style="list-style-type: none"> <li>• Choice</li> </ul>
UNIQUE FEATURES OF TRELLIDOR A200	UNIQUE BENEFITS OF TRELLIDOR A200
<ul style="list-style-type: none"> <li>• Range of options</li> </ul>	
<ul style="list-style-type: none"> <li>&gt; Hinge-away</li> </ul>	<ul style="list-style-type: none"> <li>&gt; Space saving</li> </ul>
<ul style="list-style-type: none"> <li>&gt; Hinge-up bottom track</li> </ul>	<ul style="list-style-type: none"> <li>&gt; Removes trip hazard</li> </ul>
<ul style="list-style-type: none"> <li>&gt; Cut in tracks</li> </ul>	<ul style="list-style-type: none"> <li>&gt; Allows wheelchair access</li> </ul>
<ul style="list-style-type: none"> <li>&gt; Removable track</li> </ul>	<ul style="list-style-type: none"> <li>&gt; Removes trip hazard</li> </ul>
	<ul style="list-style-type: none"> <li>&gt; Allows unimpeded entrance</li> </ul>
<ul style="list-style-type: none"> <li>&gt; Angle Units</li> </ul>	<ul style="list-style-type: none"> <li>&gt; Allows tight corners to be secured</li> </ul>
<ul style="list-style-type: none"> <li>&gt; Covered track</li> </ul>	<ul style="list-style-type: none"> <li>&gt; Allows wheelchair access</li> </ul>
<ul style="list-style-type: none"> <li>&gt; Side-by-side</li> </ul>	<ul style="list-style-type: none"> <li>&gt; Allows large open spaces to be secured</li> </ul>
<ul style="list-style-type: none"> <li>&gt; Electric access control</li> </ul>	<ul style="list-style-type: none"> <li>&gt; Ease of operation</li> </ul>
<ul style="list-style-type: none"> <li>• Retracts to 15% of its original size</li> </ul>	<ul style="list-style-type: none"> <li>• Access</li> </ul>

### 3 CERTIFICATION



#### Police Preferred Specification

**Secured by Design** is the UK Police flagship initiative supporting the principles of designing out crime. Secured by Design licensed company status is awarded to those companies producing

security products, including doors and windows, which pass standards and tests nominated by the police service as 'Police Preferred Specification'. The LPCB's testing and certification against LPS 1175 is considered to be an acceptable standard to qualify for the Secured by Design license and to allow a company to use 'Police Preferred Specification' in relation to its products.

Secured by Design (SBD) is the corporate title for a family of national police projects involving the design for new homes, refurbished homes, commercial premises, car parks and other police crime prevention projects.

It is primarily an initiative to encourage the building industry to adopt crime prevention measures to assist in reducing the opportunity for crime and the fear of crime, creating a safer and more secure environment.

Secured by Design supports one of the Government's key planning objectives - the creation of secure, quality places where people wish to live and work.

Secured by Design is supported and managed by the Association of Chief Police Officers (ACPO) and has the backing of the Home Office. It has been drawn up in consultation with the Department of Transport, Local Government & Regions (formerly DETR) as well as trade, industry and standards organisation.

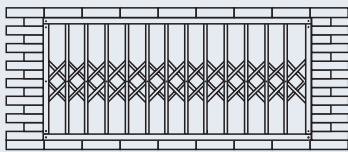
## 4 SIZE



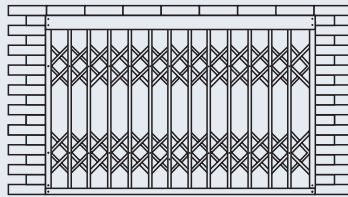
Trellidor A200 can be applied to any width of aperture. This is achieved by means of multiple stacks on a single track which lock into each sash as in a multiple- or flexi- configuration.

It is not recommended to exceed 6 metres for each single sash and 12 metres for each double sash. Also refer to side by side configurations.

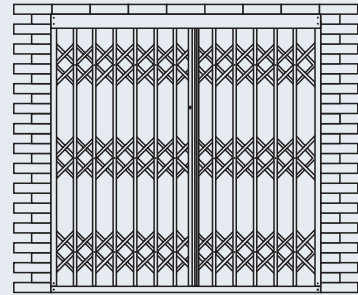
1 flight  
385mm - 860mm



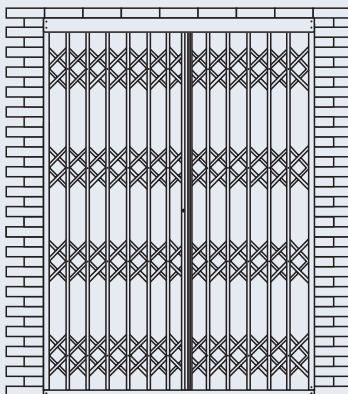
2 flights  
865mm - 1550mm



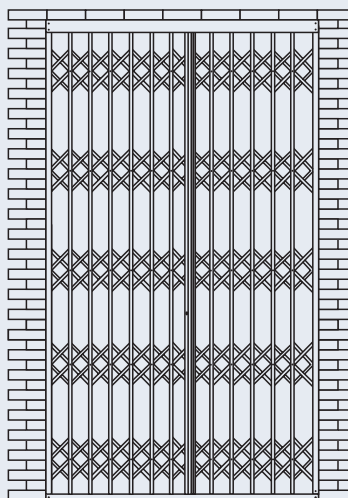
3 flights  
1555mm - 2210mm



4 flights  
2215mm - 2800mm

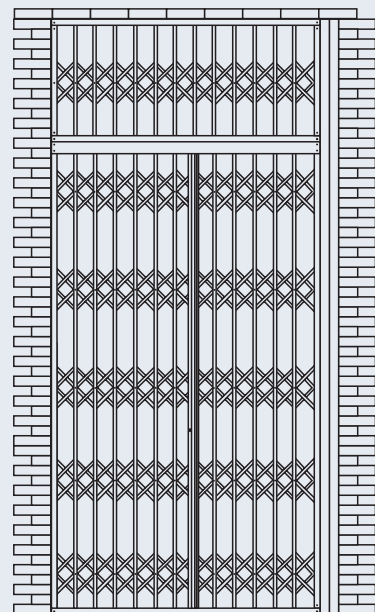


5 flights  
2805mm - 3000mm



### Heights in excess of 3000mm

It is usually possible to install a fixed sash above the moving sash as illustrated



## 4 SIZE CONT



### STACK SERIES AND CLEAR OPENING (GUIDELINE ONLY)

Table 1 Single Sash

Trellidor A200 width		Width of stack	Width of jamb	Clear opening	
from	to			from	to
325	435	105	50	170	280
440	550	120	50	285	380
555	665	135	50	385	480
670	785	155	50	485	580
790	900	170	50	585	680
905	1015	185	50	685	780
1020	1130	200	50	785	880
1135	1245	215	50	885	980
1250	1365	235	50	985	1080
1370	1480	250	50	1085	1180
1485	1595	265	50	1185	1280
1600	1710	280	50	1285	1380
1715	1825	295	50	1385	1480
1830	1945	315	50	1485	1580
1950	2060	330	50	1585	1680
2065	2175	345	50	1685	1780
2180	2290	360	50	1785	1880
2295	2405	375	50	1885	1980
2410	2525	395	50	1985	2080
2530	2640	410	50	2085	2180
2645	2755	425	50	2185	2280
2760	2870	440	50	2285	2380
2875	2985	455	50	2385	2480
2990	3105	475	50	2485	2580
3110	3220	490	50	2585	2680
3225	3335	505	50	2685	2780
3340	3450	520	50	2785	2880
3455	3565	535	50	2885	2980
3570	3685	555	50	2985	3080
3690	3800	570	50	3085	3180
3805	3915	585	50	3185	3280
3920	4030	600	50	3285	3380
4035	4145	615	50	3385	3480
4150	4265	635	50	3485	3580
4270	4380	650	50	3585	3680
4385	4495	665	50	3685	3780
4500	4610	680	50	3785	3880
4615	4725	695	50	3885	3980
4730	4845	715	50	3985	4080
4850	4960	730	50	4085	4180
4965	5075	745	50	4185	4280

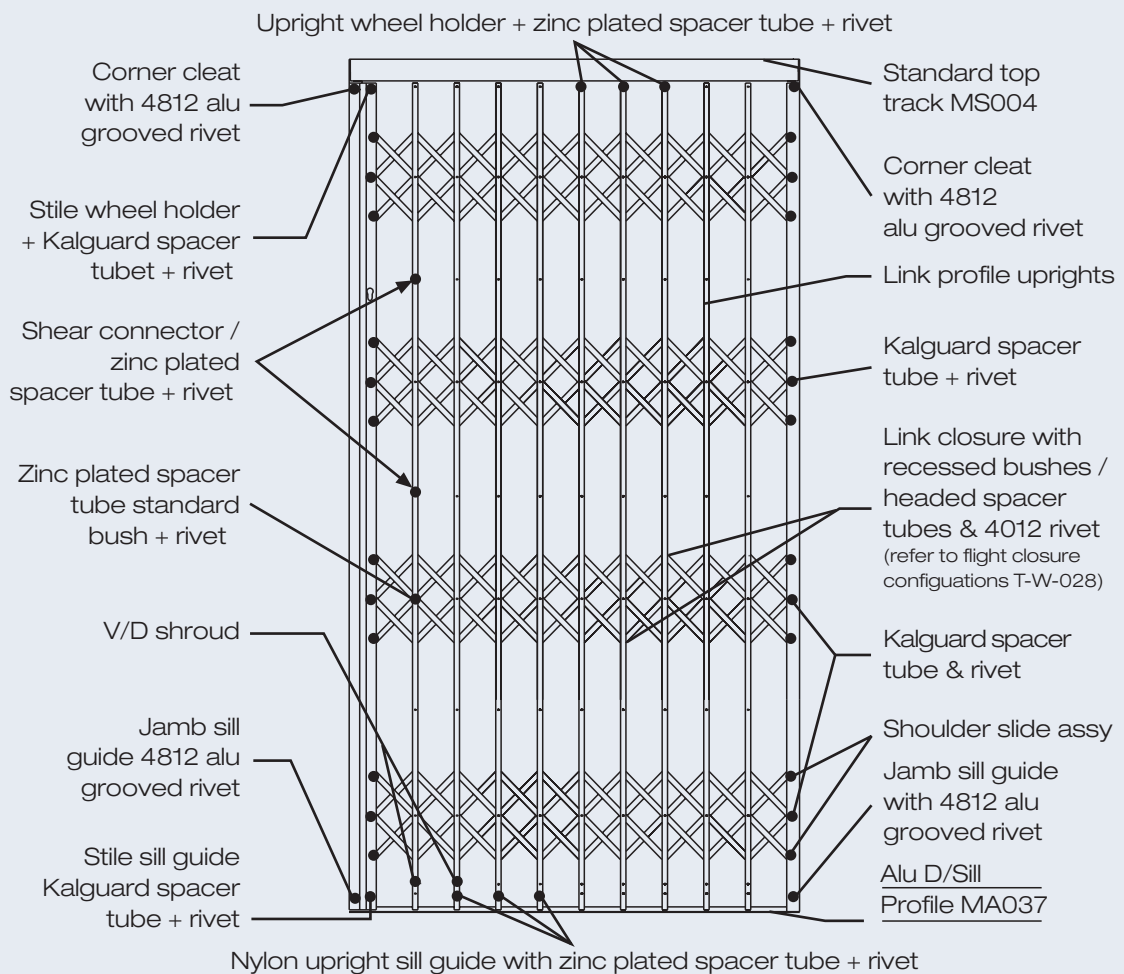
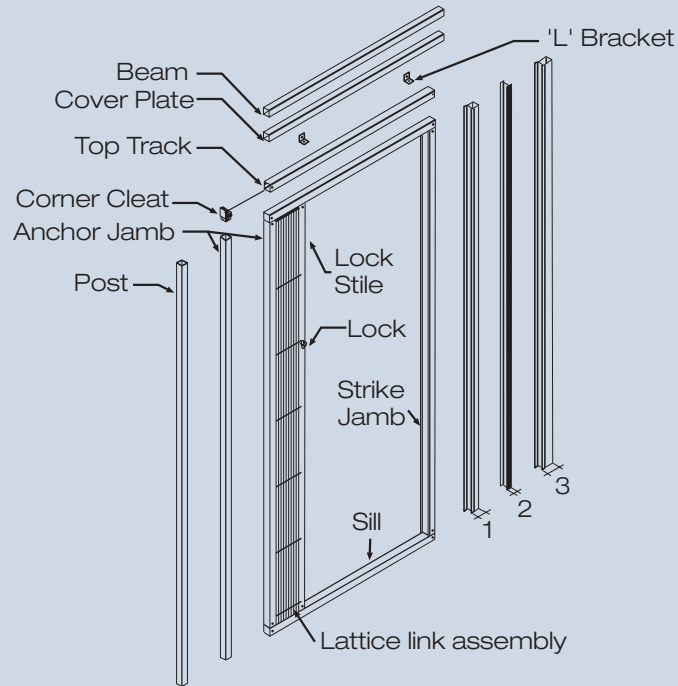
Opening width + Trellidor A200 width - stack width - strike jamb size  
 Trellidor A200 width = opening width + stack width + strike jamb size

Table 2 Double Sash

Trellidor A200 width		Width of stack	Width of jamb	Clear opening	
from	to			from	to
555	785	105	125	325	555
790	1015	120	140	560	755
1020	1245	135	155	760	955
1250	1480	155	175	960	1150
1485	1710	170	190	1155	1350
1715	1945	185	205	1355	1555
1950	2175	200	220	1560	1755
2180	2405	215	235	1750	1955
2410	2640	235	255	1960	2150
2645	2870	250	270	2155	2350
2875	3105	265	285	2355	2555
3110	3335	280	300	2560	2755
3340	3565	295	315	2760	2955
3570	3800	315	335	2960	3150
3805	4030	330	350	3155	3350
4035	4265	345	365	3355	3555
4270	4495	360	380	3560	3755
4500	4725	375	395	3760	3955
4730	4960	395	415	3960	4150
4965	5190	410	430	4155	4350
5195	5425	425	445	4355	4555
5430	5655	440	460	4560	4755
5660	5885	455	475	4760	4955
5890	6120	475	495	4960	5150
6125	6350	490	510	5155	5350
6355	6585	505	525	5355	5555
6590	6815	520	540	5560	5755
6820	7045	535	555	5760	5955
7050	7280	555	575	5960	6150
7285	7510	570	590	6155	6350
7515	7745	585	605	6355	6555
7750	7975	600	620	6560	6755
7980	8205	615	635	6760	6955
8210	8440	635	655	6960	7150
8445	8670	650	670	7155	7350
8675	8905	665	685	7355	7555
8910	9135	680	700	7560	7755
9140	9365	695	715	7760	7955
9370	9600	715	735	7960	8150
9605	9830	730	750	8155	8350
9835	10065	745	765	8355	8555

Opening width + Trellidor A200 width - stack width - strike jamb size  
 Trellidor A200 width = opening width + stack width + strike jamb size

**5 ASSEMBLY**



## 6 CONSTRUCTION

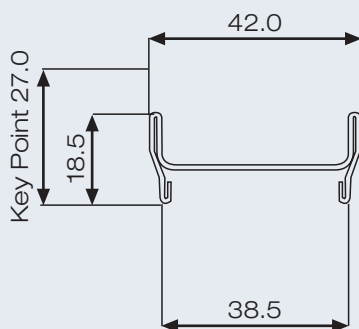
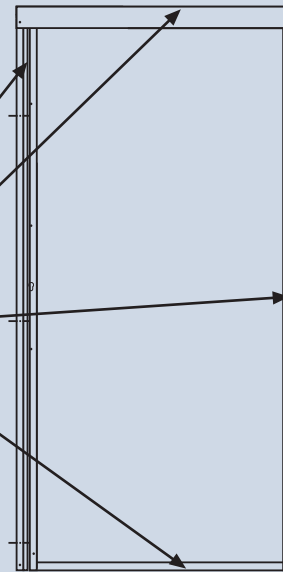


The exterior components and bottom track are located and fixed to form a rigid frame. The trellis sash running in this frame consists of vertical steel components joined together by means of horizontal

rows of links. The linkage across the vertical upright pairs is a unique feature of the barrier construction developed by Trellicor, giving both uniformity of operation and added strength.

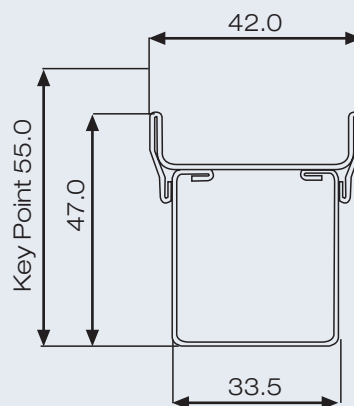
### THE FRAME CONSISTS OF

<b>A</b>	Strike Jamb	Galvanised steel, powder coated
<b>B</b>	Top Track	Galvanised steel, powder coated
<b>C</b>	Anchor Jamb	Galvanised steel, powder coated
<b>D</b>	Bottom Sill	Aluminium



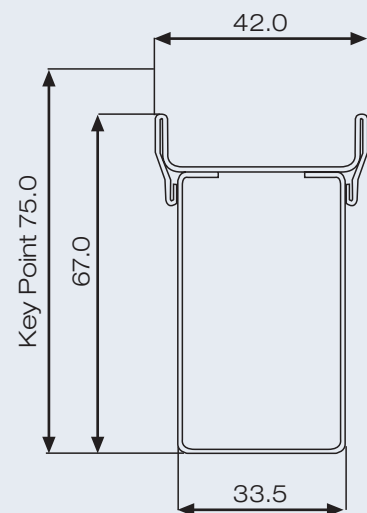
#### 05 STRIKE JAMB

Utilised to minimize intrusion into the aperture space. Often used where unit is fitted next to aluminium patio doors with Slimline frames.



#### 35 STRIKE JAMB

Used when key position relative to the door/window frame has reasonably free/clear access. Also reduces intrusion into aperture clear space when unit is open.



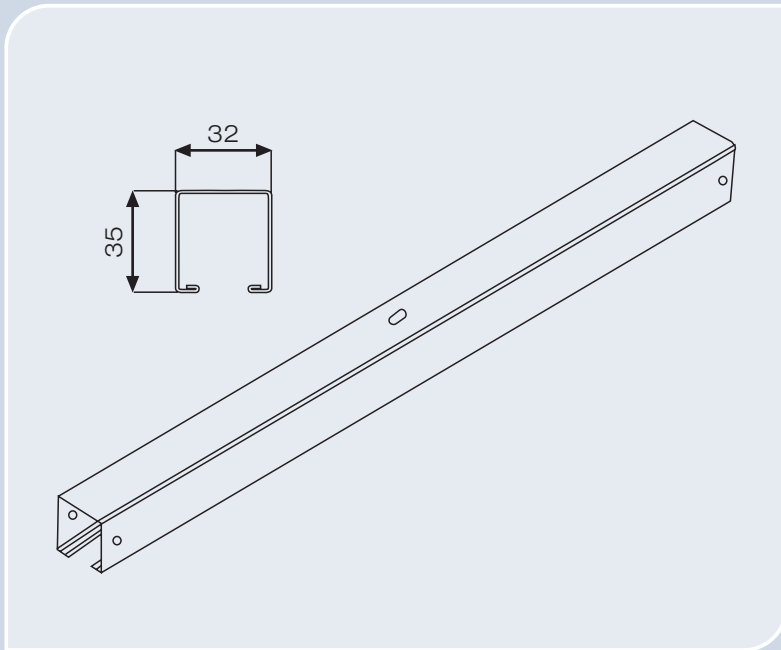
#### 55 STRIKE JAMB

Utilised where positioning the key point away from the wall is important. Often used on doors to clear the frame.

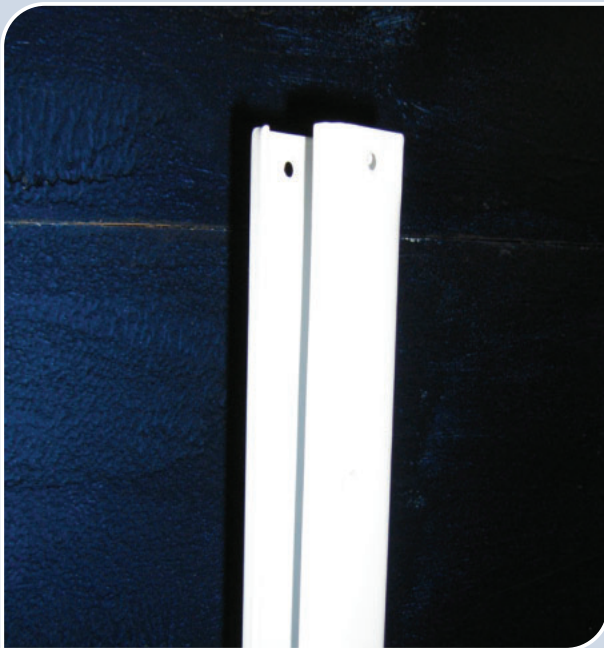
## 6 CONSTRUCTION CONT



### TOP TRACK



### ANCHOR JAMB

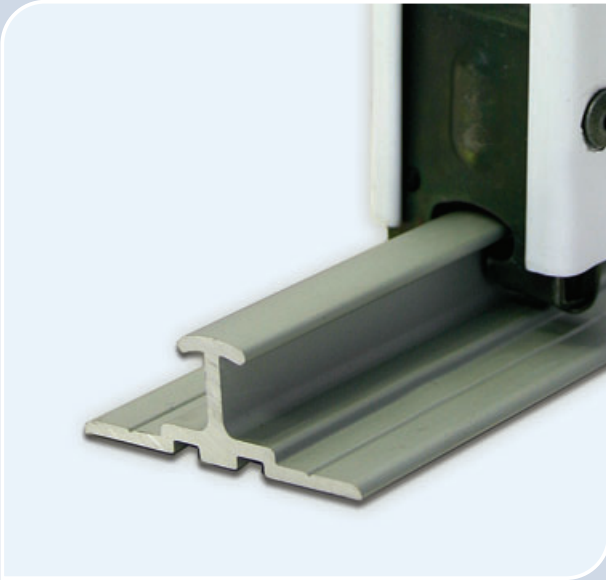




## 6 CONSTRUCTION CONT

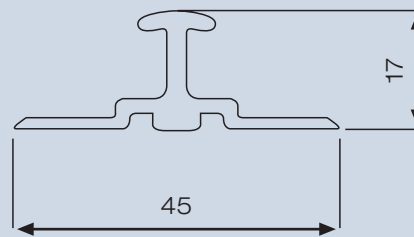


### ALUMINIUM BOTTOM SILL

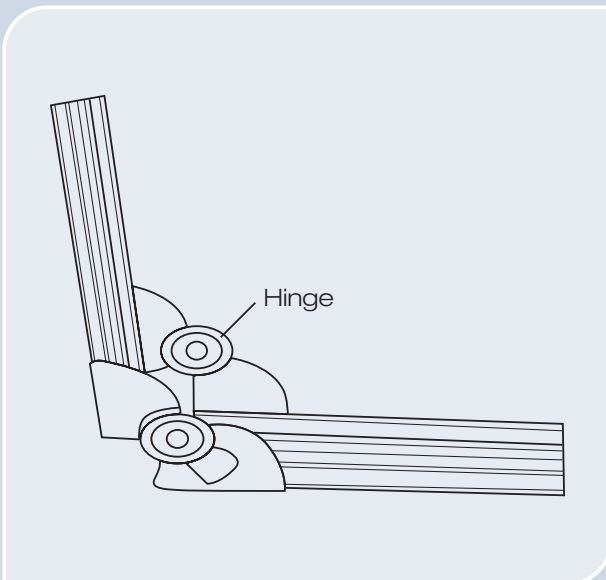


Mainly used in door applications, but can also be used in window applications where requested.

Anodised natural to 25 microns (Can be powder coated) Width 45mm Height 15mm (Refer 1A).  
This track may also be sunk into the floor (Refer 1B).



### HINGED UP ALUMINIUM SILL

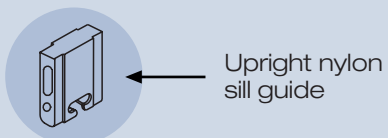
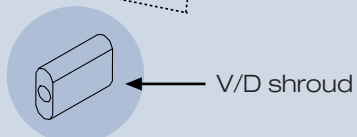
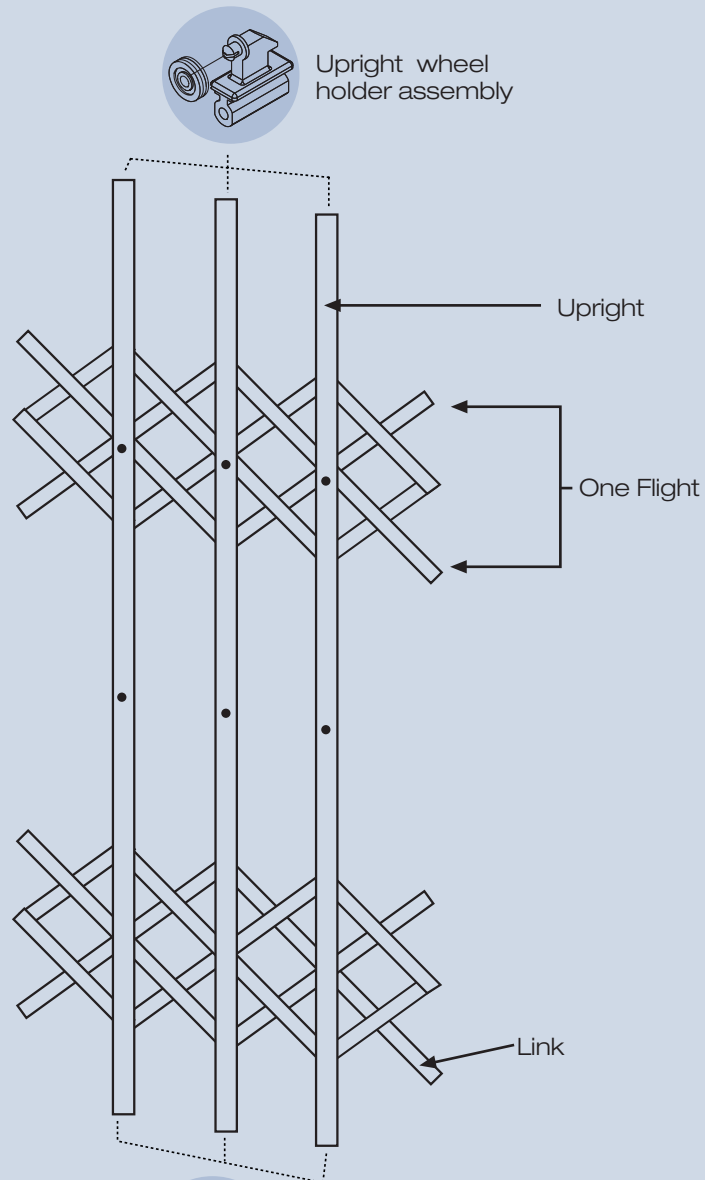


The hinge assembly for the bottom sill enables hinging of the track up into the vertical position, thus leaving the floor area clear of any obstructions. This enables cleaning and free movement of wheeled objects through the entrance or opening being secured. The hinging assembly as illustrated is constructed from galvanised mild steel. The assembly can also be ordered chromed. The latch assembly can be installed to operate from either side of the door. When in the open position with the sill hinged up, the hinged section of the sill will hold back the stack.

## 6 CONSTRUCTION CONT



### TRELLIS SASH



## 6 LOCKS



### STANDARD LOCKING MECHANISM

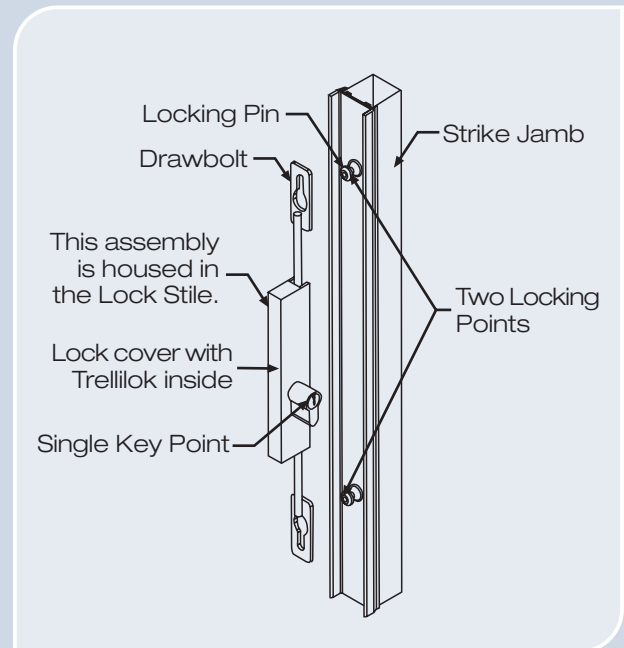
#### TRELLILOK (Patented)

This unique patented lock was specifically designed for the Trellidor product range and provides dead locking for added security. It consists of a single throw, single key point mechanism with multi-point locking locations.

#### EUROLOCK (Patented)

Where the Trellilok has to match an existing locking system with identical keys, the unique patented Euro-lock is available.

This lock will accommodate any euro profile cylinder and this must be specified when ordering.

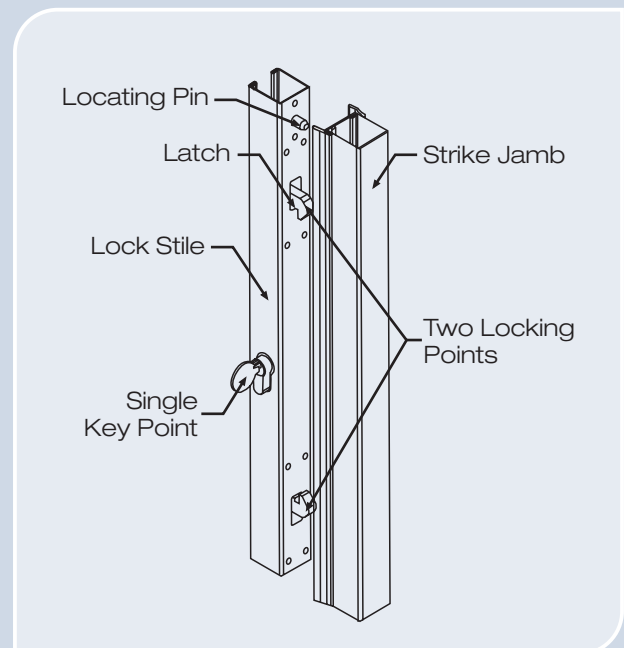


#### TRELLILOK

#### TRELLIDOR SLAM-LOCK (Patented)

Trellidor product and incorporates the Trellilok Technology. It consists of a double-throw Trellilok, giving multi point locking from a single key point, with 3 modes of operation (from convenience to security).

- **Open Mode:** In this mode the unit can open and close freely. No locking takes place which prevents accidental lock-out.
- **Slam-Lock Mode:** A single turn of the key engages the Slam-Lock action. The door is now 'armed' and ready to be Slam-Locked.
- **Dead-Lock Mode:** After closing the door in the Slam-Lock mode, turn the key one more time and the door is now 'Dead-Locked' which prevents the latches from being lifted.



#### TRELLIDOR SLAM-LOCK

## 6 LOCKS CONT



### STANDARD LOCKING MECHANISM

#### CYLINDERS

The above locks are activated by means of 5 pin cylinders through customised cams.

The cylinders come in a variety of options:

- Full cylinders: Operated from both sides – usually door applications.
- Half cylinders: Operated from one side only – usually window applications.

These can be configured:

- Random (all keys differ)
- Matching (keyed alike)
- Dependent (full and half cylinders have the same key)

and/or in combinations of the above.

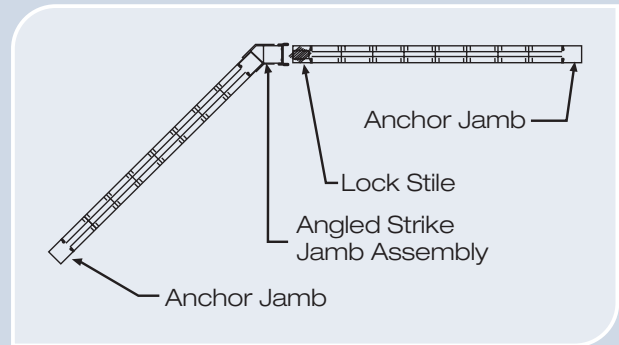
## 7 OPTIONS



### DOORS

#### ANGLE JOINED

Trellidor A200 can be made to meet at any angle. These are manufactured as double units with the two sashes locking into one another at a specified angle from 90° to 180°.



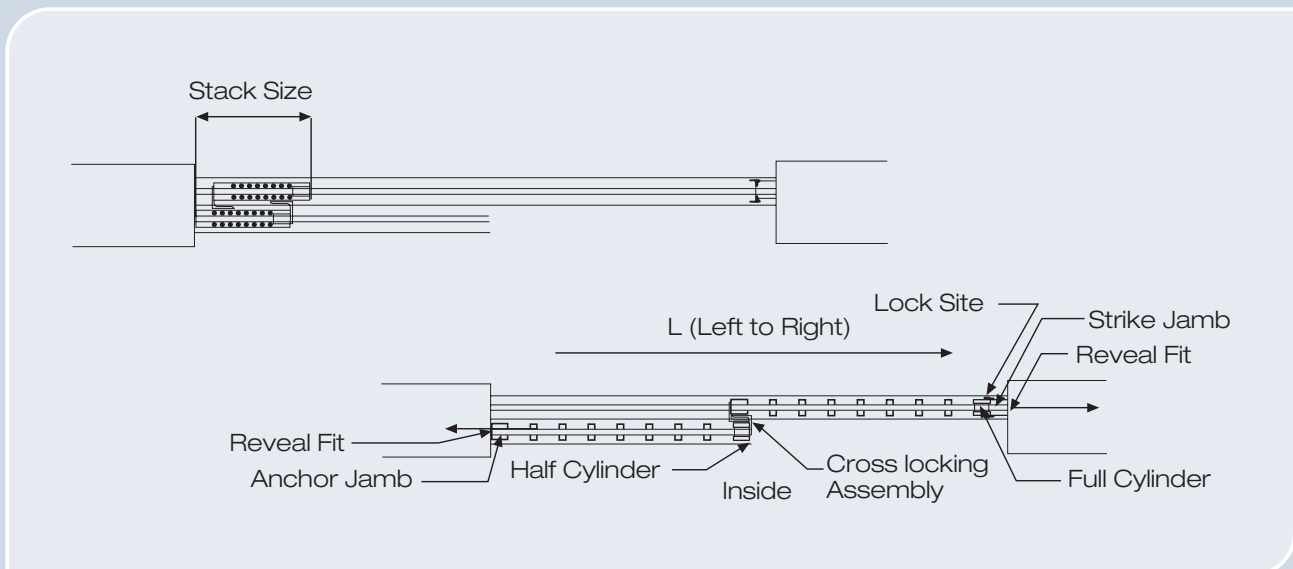
#### SIDE-BY-SIDE

The side-by-side Trellidor A200 is available in single and double configurations.

- The unit is designed primarily to maximise the reveal clearspace and minimise stacking size by running two or more cross locking Trellidors parallel.
- Ideal for shop fronts in malls, shop windows, passageways etc.

Sash sizes are limited to 6000mm per sash.

Cross locking is standard to provide greater security when the Trellidors are in place.



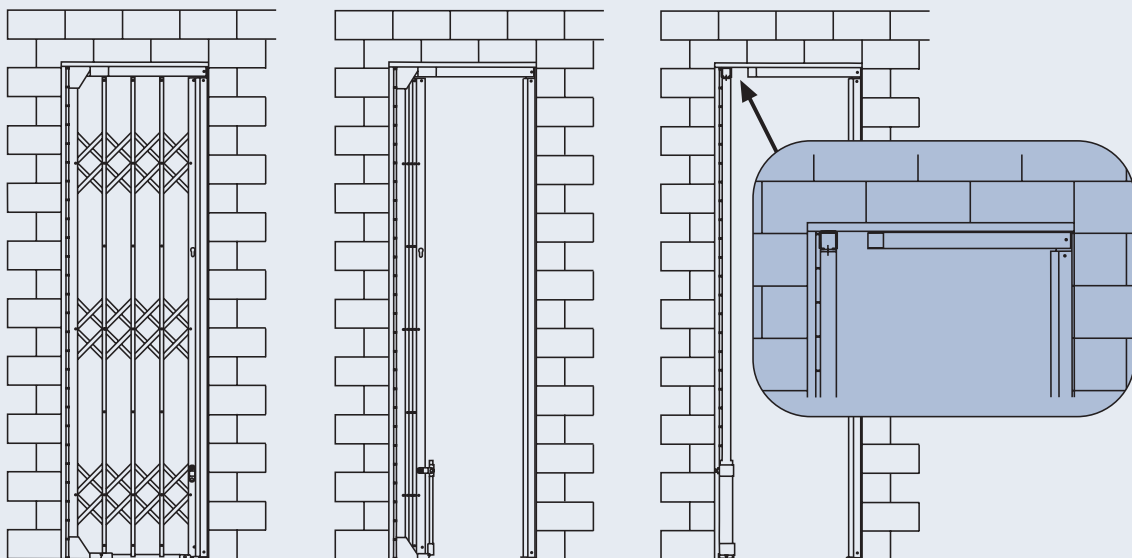
## 7 OPTIONS CONT



### DOORS

#### HINGE AWAY

- The inclusion of a heavy duty hinge mechanism into the single or double Trelidor allows the door stack to be swung away giving wider access through the reveal.
- Ideal in passageways, smaller doorways and entrances needing full reveal access etc.



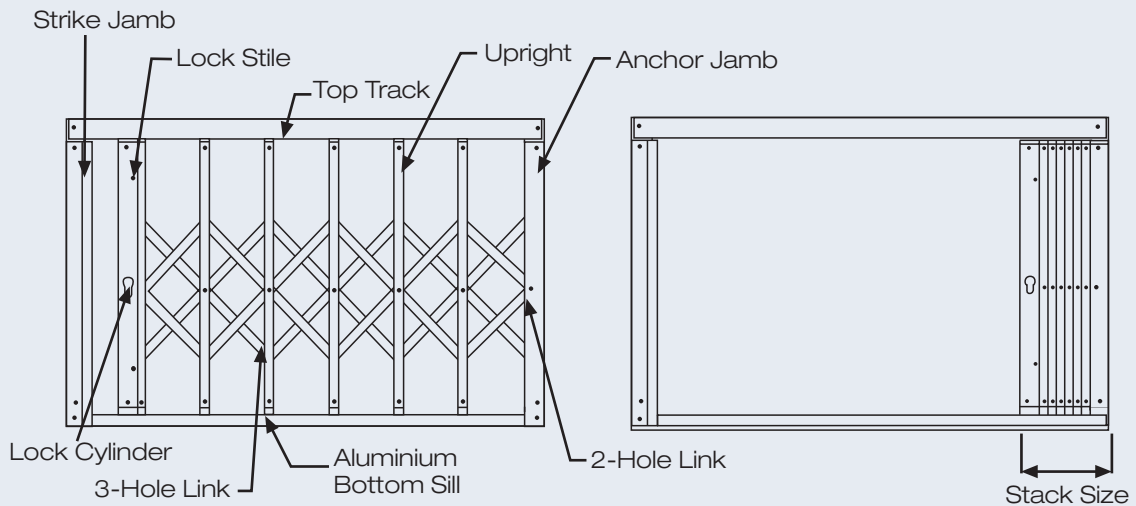
## 7 OPTIONS CONT



### WINDOWS

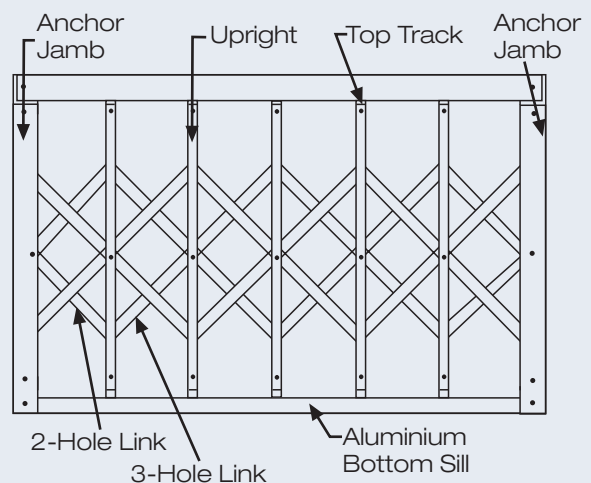
#### SLIDING

- Fully framed in galvanised steel and made to fit windows of all sizes.
- Covers the complete window and retracts away when not needed, offering an unobstructed view.
- Available in single, double, single flexi or double flexi configuration, to make window cleaning easy and provide an escape route in the event of an emergency.



#### FIXTURE (NON-OPENING)

- Fully framed in galvanised steel and made to fit all window sizes.
- Protects opening and fixed window panes.
- Allows for air circulation with your security in place.



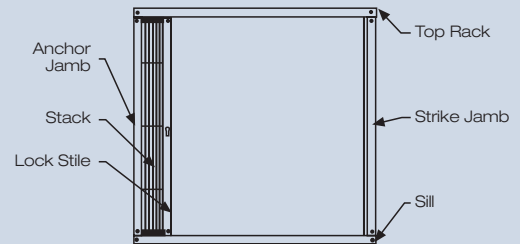
## 8 CONFIGURATIONS



### STANDARD CONFIGURATIONS

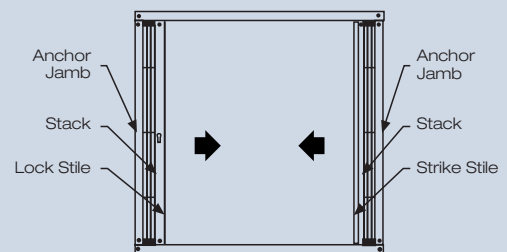
#### SINGLE SASH TRELLIDOR A200

One side of the trellis sash is fixed to the anchor jamb, with the other side moving across to lock onto the strike jamb. The direction of close can be left to right or right to left as required



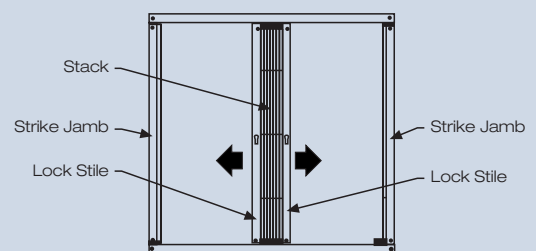
#### DOUBLE SASH TRELLIDOR A200

Double doors have two sashes, stacking one on each side of the unit which closes towards the centre. The split is usually central (50/50), but can be offset to either side as required.



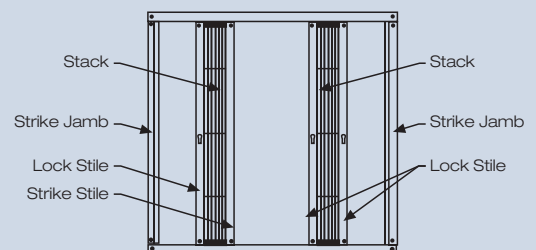
#### SINGLE FLEXI SASH TRELLIDOR A200

Constructed with a lock stile and strike jamb on both sides of the unit enabling the stack to be positioned anywhere within the frame. This facilitates cleaning of windows.



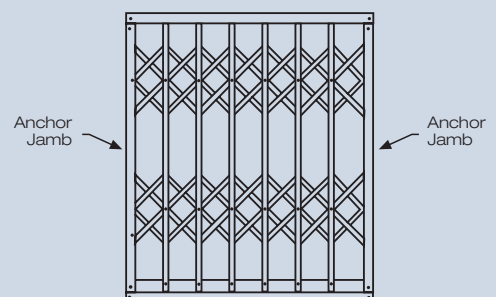
#### DOUBLE FLEXI SASH TRELLIDOR A200

As per the single sash flexi but with the sash split into two interlocking stacks. This enables each stack to be independently positioned. Each sash locks into the strike jamb at each end of the unit and locks at the centre point as well. Especially designed for large commercial applications.



#### FIXED SASH TRELLIDOR PLUS

The trellis sash construction is fixed to the anchor jamb both left and right as the ability to open is not required in such units.





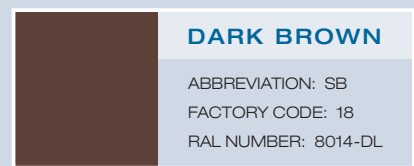
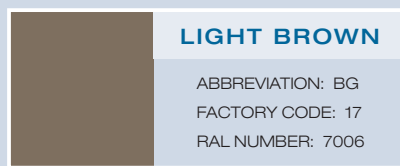
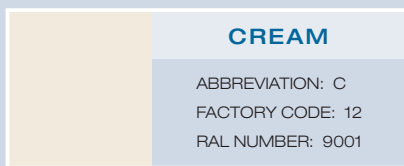
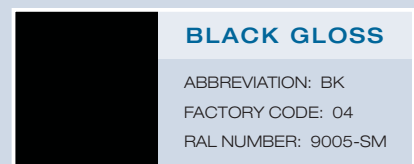
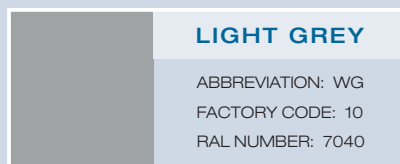
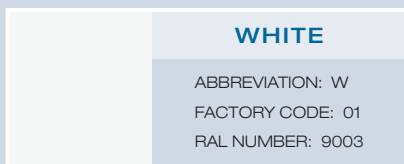
## 9 FINISHES



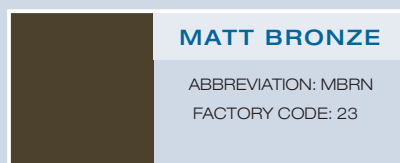
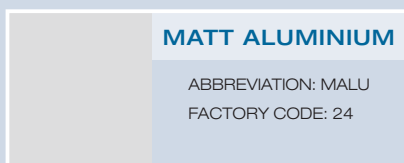
Trellidor A200 grilles are available in an attractive stock range of colours (as indicated below), utilising high quality ultra violet resistant polyester powder, suitable for interior and exterior use. Additionally they

can be supplied in any standard RAL number and can be matched to decor or corporate identity. These colours are representative only. For an exact match please call for a swatch.

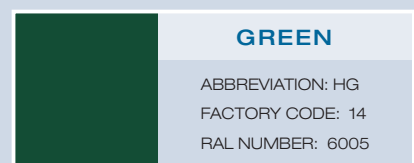
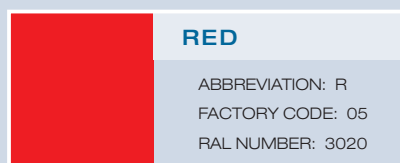
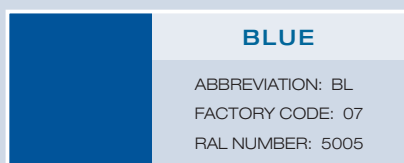
### STANDARD COLOURS



### NON-STANDARD COLOURS



### SPECIAL COLOURS



## 10 INSTALLATION



### COACH SCREWS

Customised coach screws are used to secure Trellidor A200 by means of a specially designed torx drive attached to a flexi-spanner.

### FIXING OPTIONS

**Reveal Fixing** – Secured into the walls from all sides.

**Face-on Fixing** – This is used when the unit is secured to the face of the aperture. This enables arches to be secured from the inside while maintaining the arched effect from outside.

**Other Fixing options include**

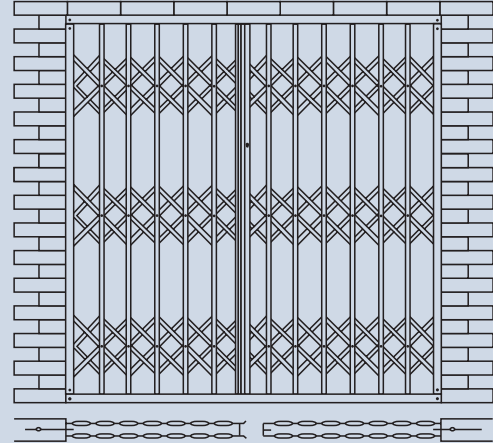
- face-on to reveal
- face-on to free standing
- reveal to free standing
- free standing

Accessories required to carry out the above fixing options will depend upon on-site conditions and the aperture to be secured. Such accessories could include custom brackets, standard brackets, beams, posts, cover strips. For standard accessories refer below.

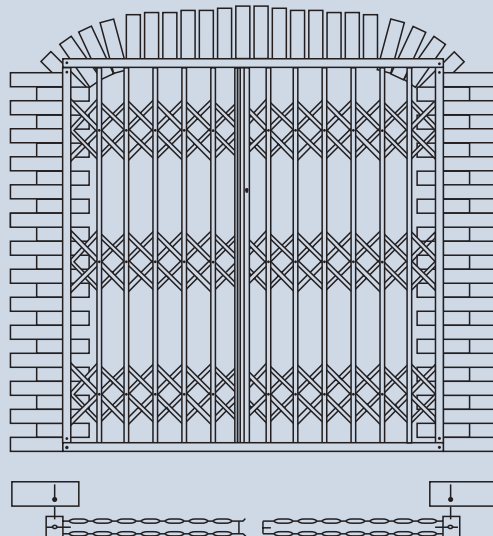
### INSTALLATION

All units supplied with standard concrete fixing kits.

### DOUBLE DOOR REVEAL FIXING



### DOUBLE DOOR FACE ON FIXING



### STANDARD ACCESSORIES

STANDARD BEAM & POST SIZES	STANDARD BRACKET SIZES	STANDARD COVERSTRIP SIZES
30 x 30 x 2	32 x 32 x 35 x 3	60 x 25 x 2
60.1 x 30.1 x 1.8	38 x 38 x 35 x 3	44 x 22 x 2
50 x 50 x 2	50 x 50 x 35 x 3	25 x 25 x 2
100 x 50 x 2	78 x 38 x 35 x 3	75 x 24 x 2
Flat 38 x 3	100 x 50 x 35 x 3	32 x 32 x 3
		38 x 38 x 3
		50 x 50 x 3

11 PICTURES

